

Site Commissioning Booking Form for Rainwater Re-Use System

Company Name:			
Site Address			
Preferred Date			
Invoice Number	Invoice number is for the invoice for the goods sold. If the goods you bought are from Merchants such as Harvey Norman, Tradelink or Reece, please ask your supplier to provide Smoothflow invoice number for the goods.		
Site Contact Name	Mobile		

Please Understand Site-Commissioning Only Includes:

- Check your installations;
- Check your wirings. If your installations and wirings are incorrect, you have to make another booking which costs \$600
- And then turn on your pumps if they are correct. If pumps work well, the site-commissioning is finished.
- Any site-installations, site-wirings are NOT included in site-commissioning.
- Pre-commissioning check is available on request. It will cost \$400.

Check List for Rainwater Re-Use System

No.	Items To Be Checked (PLEASE NOTE: Smoothflow won't go to site if any installations have not finished)	Please Tick
1	Have you finished pressure testing for pipe works (there is charge \$600 for second trip if commissioning is interrupted by leakages).	
2	Is your tank clean? It should be free of foreign objects. Any failure caused by foreign objects will not be warrantable.	
3	Do you have water available for testing? Without testing, commissioning can't be finished. We agree that second trip for testing will cost \$600. We will pay the cost.	
4	You must have one plumber available on site while commissioning. Otherwise Smoothflow technician will turn away.	
Regarding Installations/Wirings (Smoothflow technician will turn away if any of installations are NOT finished),		
5	Has your electrician wired 415V/240V in control panel? This must be done by your electrician.	
6	Have you finished all installations? Without finished installation, Smoothflow technician will turn away.	Yes / No
7	Has your electrician connected power to circuit breaker? (Check 240V or 415V first)	
8	Has your electrician connected power to power point (240V)?	
9	Has you wired float switch to rain-mains controller?	
10	Has you wired solenoid valve to rain-mains controller?	
11	If not, it will cost you \$600. Do you agree to pay if you ask Smoothflow technician to do those wires?	Yes / No

We have finished all installations as per the instructions on bellow pages.

We understand that Smoothflow technician will inspect installations/wirings once arrived. And the technician WON'T start commissioning job if any installations are NOT finished. We have employees on site while site-commissioning and prepare to do works for incorrect installations.

We understand and accept that Smoothflow would charge \$600 for second trip. (extra

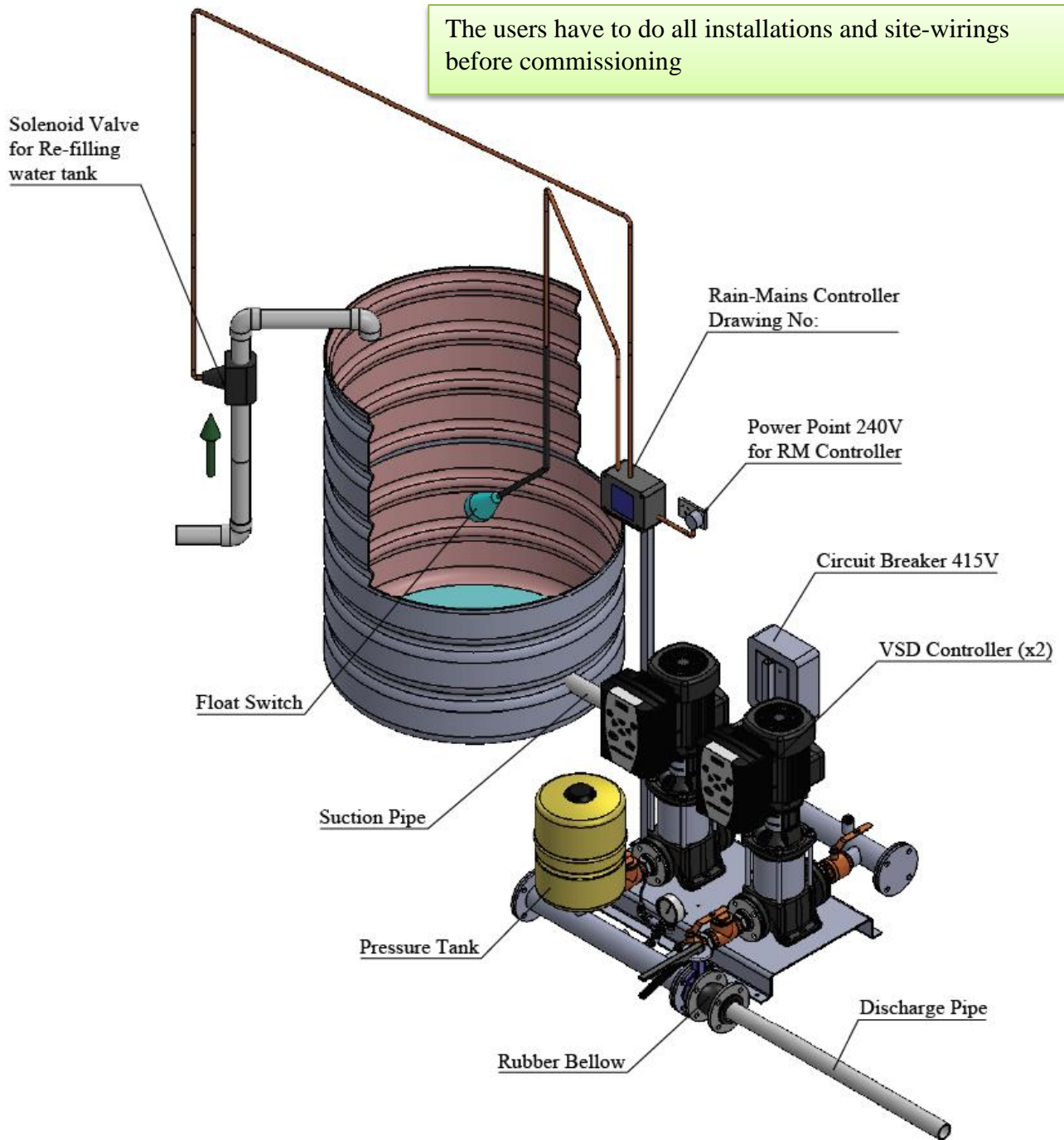
Print Name: _____ Signature: _____

Date: _____

Please refer to below pages for installations

NOTE: this page MUST return back to Smoothflow for booking site commissioning (No return, No booking)

1. General Arrangement For Rainwater Re-Use System (above ground pumps)



Major Components

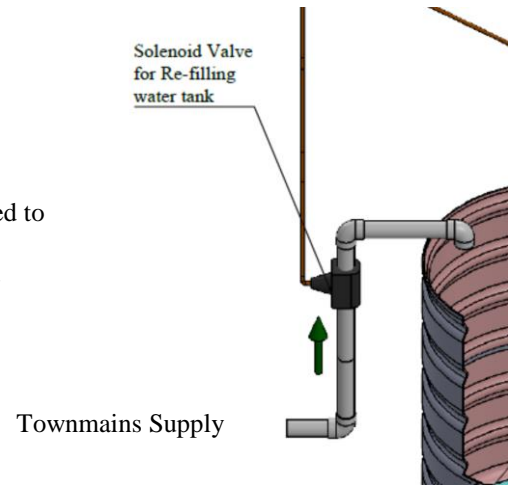
Variable speed pumpset	C/O- VSD drives; isolation valves, check valves, butterfly valve & rubber bellows
Rain-Mains Controller	C/O- solenoid valve, float switch

PLEASE NOTE:

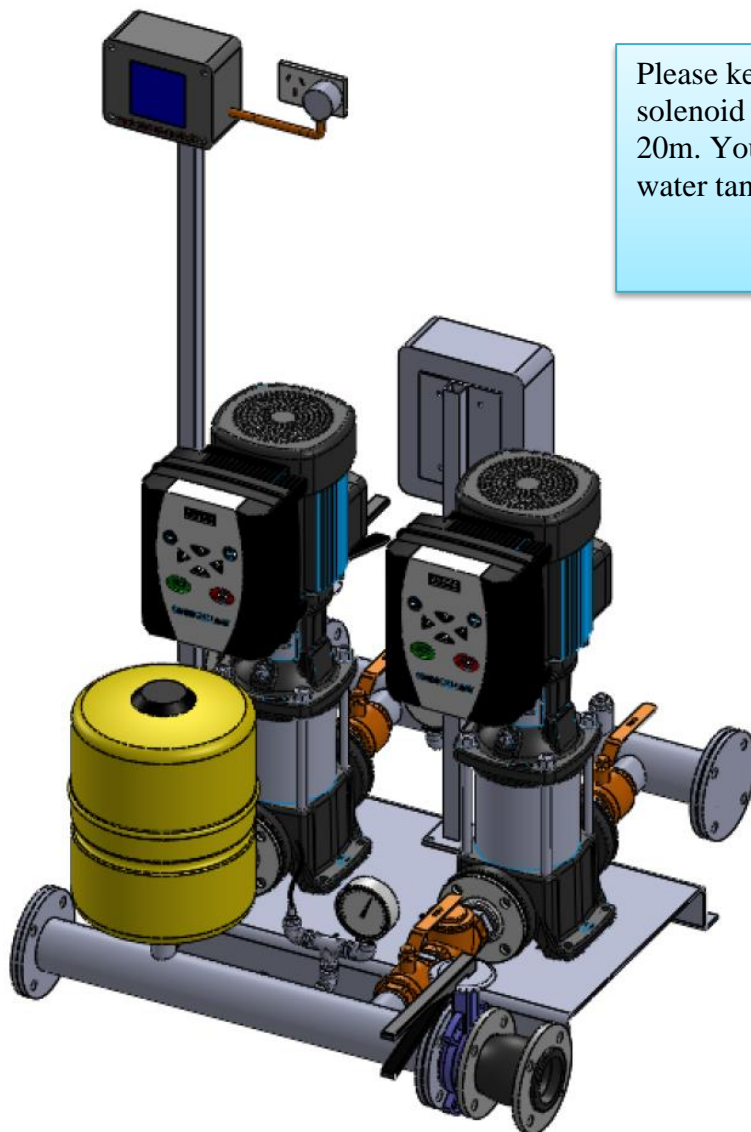
All power Cables are supplied with 20m length

2. Determine How To Use Townmains To Back Up The System

- 1) Do you know town mains pressure (P^t)?
- 2) Do you know the duty pressure of the pumping system (P^p)?
- 3) If P^t is greater than P^p ($P^t > P^p$), then townmains water can be supplied to toilet/laundry/irrigation.
- 4) Otherwise the townmains water can only be used for re-filling in tank.

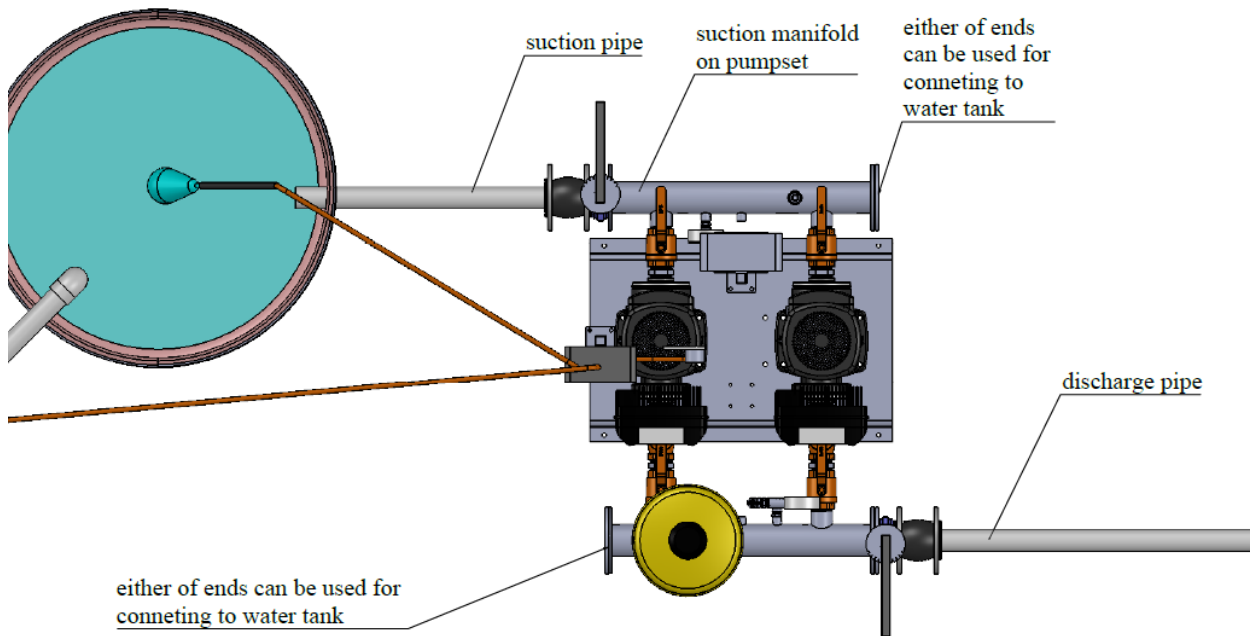


3. Installation Pumpset



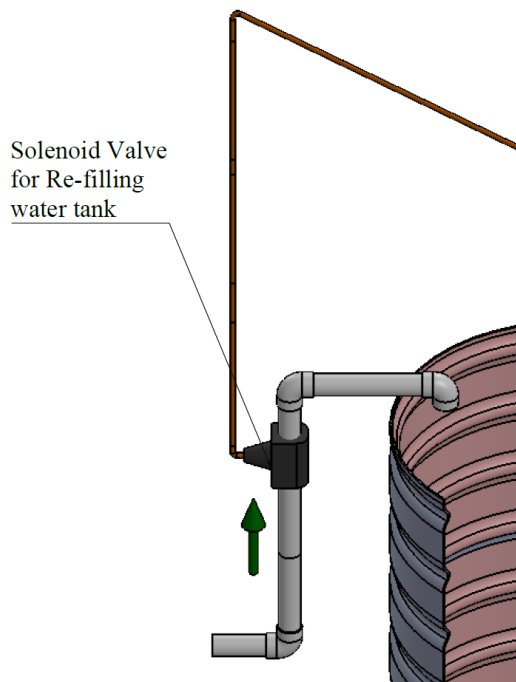
Please keep in mind that the cables for solenoid valve and float switch are only 20m. You have to keep the pumpset to water tank as close as possible

4. Installation Of Suction Pipe To Water Tank & Connection Of Discharge Pipe

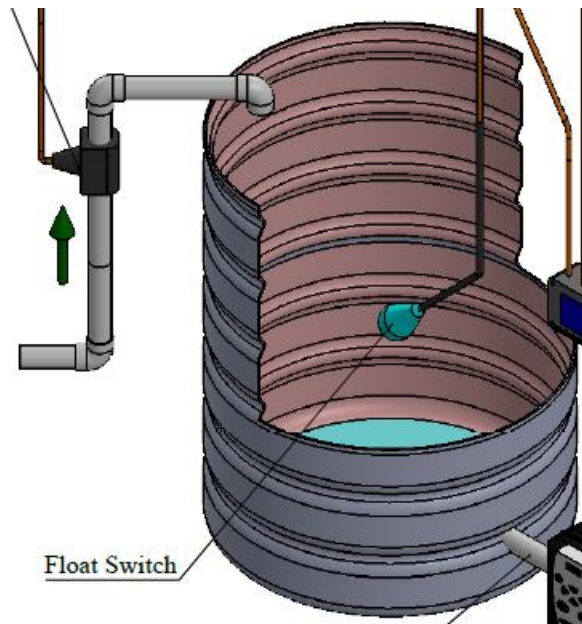


You have to keep the pumpset to water tank as close as possible

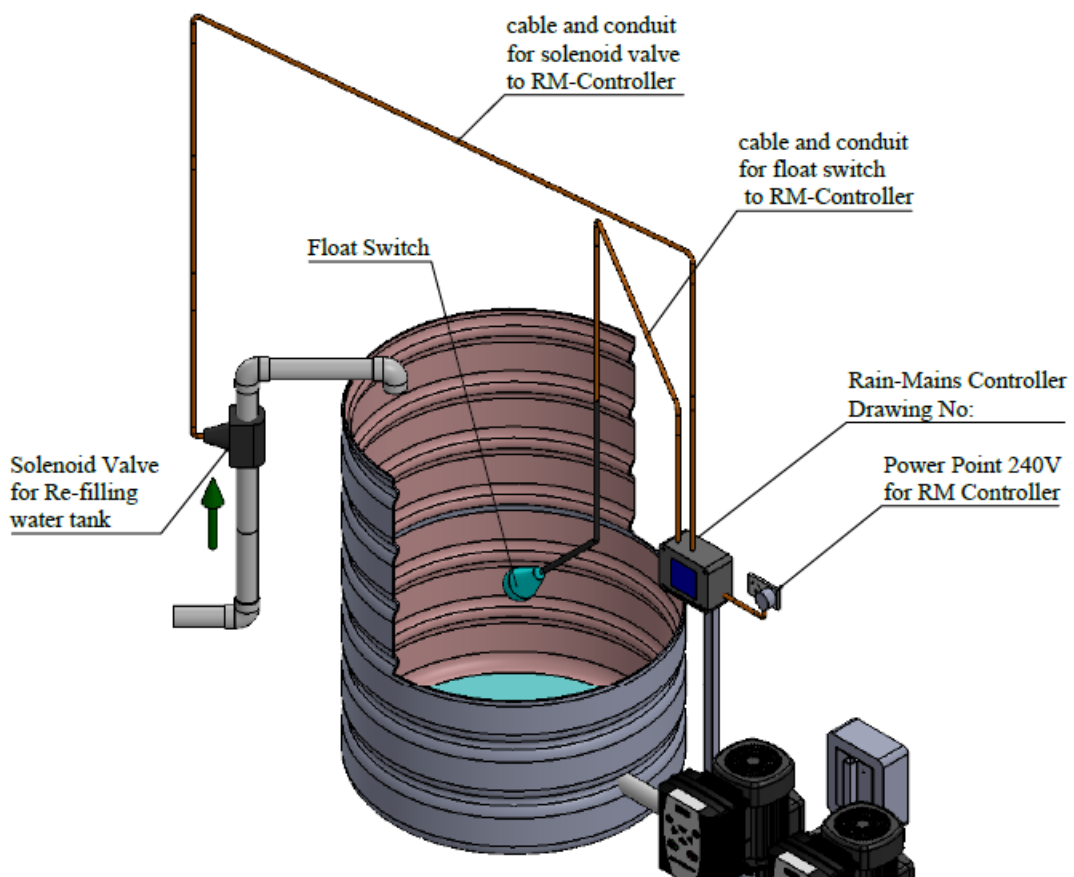
5. Installation Of Town-Mains Refill Pipe Works And Solenoid Valve



6. Installation Of Float Switch In The Water Tank



7. Layout Of Cables For Solenoid Valve And Float Switch



8. Provide Power Supply To Circuit Breaker on Pumpset

